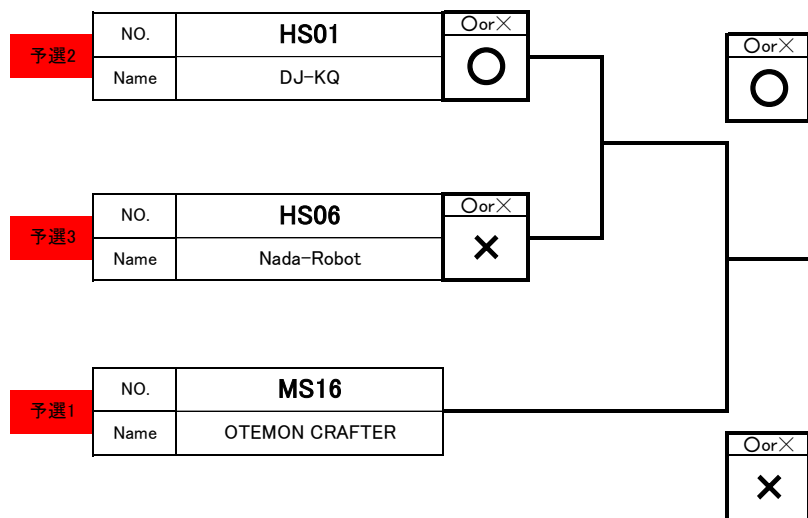


Line Following (中高中生/Middle & High School)



最終結果

1	HS01
	DJ-KQ
2	MS16
	OTEMON CRAFTER
3	HS06
	Nada-Robot